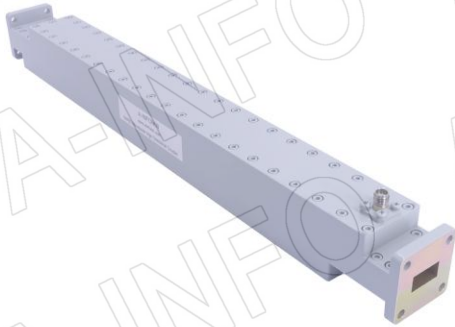


Technical Specification

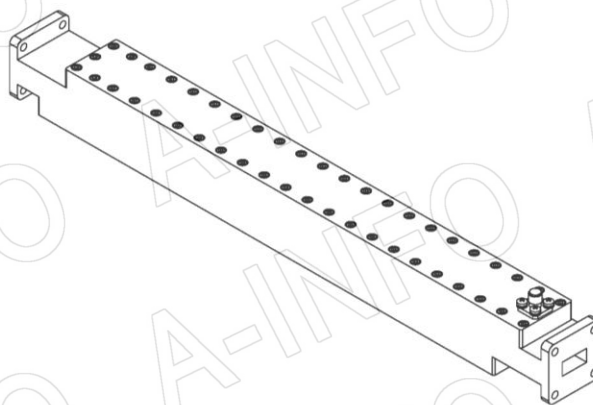


EIA WR	WR62
Frequency Range(GHz)	12.4 – 18.0
Coupling(dB)	50
Coupling Accuracy(dB)	±0.9 Max.
Freq. Sensitivity(dB)	±0.7 Max.
Directivity(dB)	30 Min.
Insertion Loss(dB)	0.3 Max. (Not including the theoretical loss 8.69×10^{-5} dB)
Mainline VSWR	1.05:1 Max.
Secondline VSWR	1.25:1 Max.
Flange	FBP140(UBR140)
Coupling Port	SMA-Female / SMA-Male
Material	Al
Size(mm)	349.25 x 33.3 x 54.3
Net Weight(Kg)	0.75 Around

Outline Drawing (Size: mm)

Coupling Port: SMA-Female

For SMA-Male connector Coupling Port outline drawing, please contact A-INFO.



AINFO Inc.

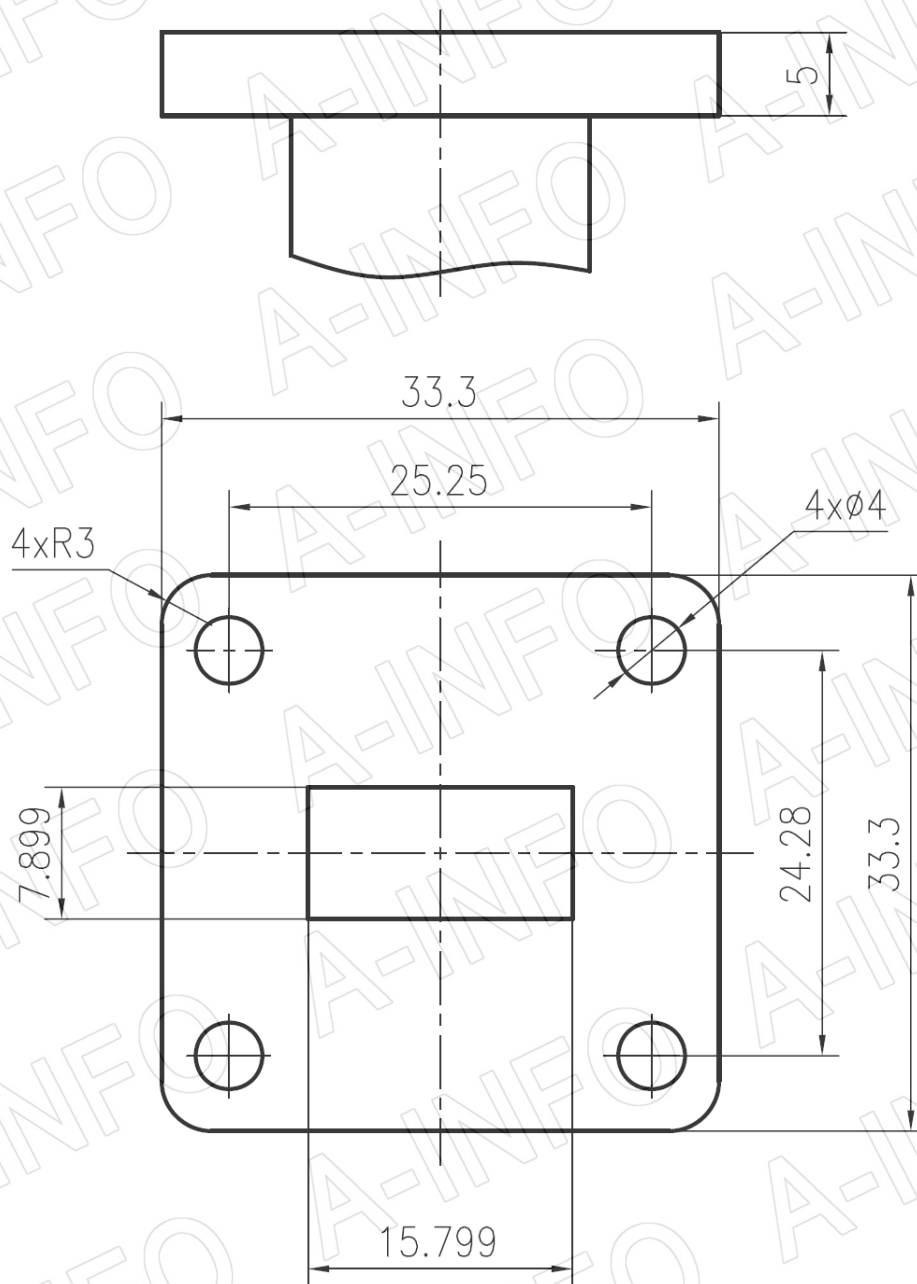
Page 1 of 6

China(Beijing): Tel: (+86) 10-6266-7326,
China(Chengdu): Tel: (+86) 28-8519-2786,
USA: Tel: (+1) 949-639-9688,

(+86) 10-6266-7327 Fax: (+86) 10-6266-7379
(+86) 28-8519-3044 Fax: (+86) 28-8519-3068
(+1) 949-639-9608 Fax: (+1) 949-639-9670

Website: www.ainfoinc.com
Email: sales@ainfoinc.com

Flange Drawing (Size: mm)



FBP140

AINFO Inc.

Page 2 of 6

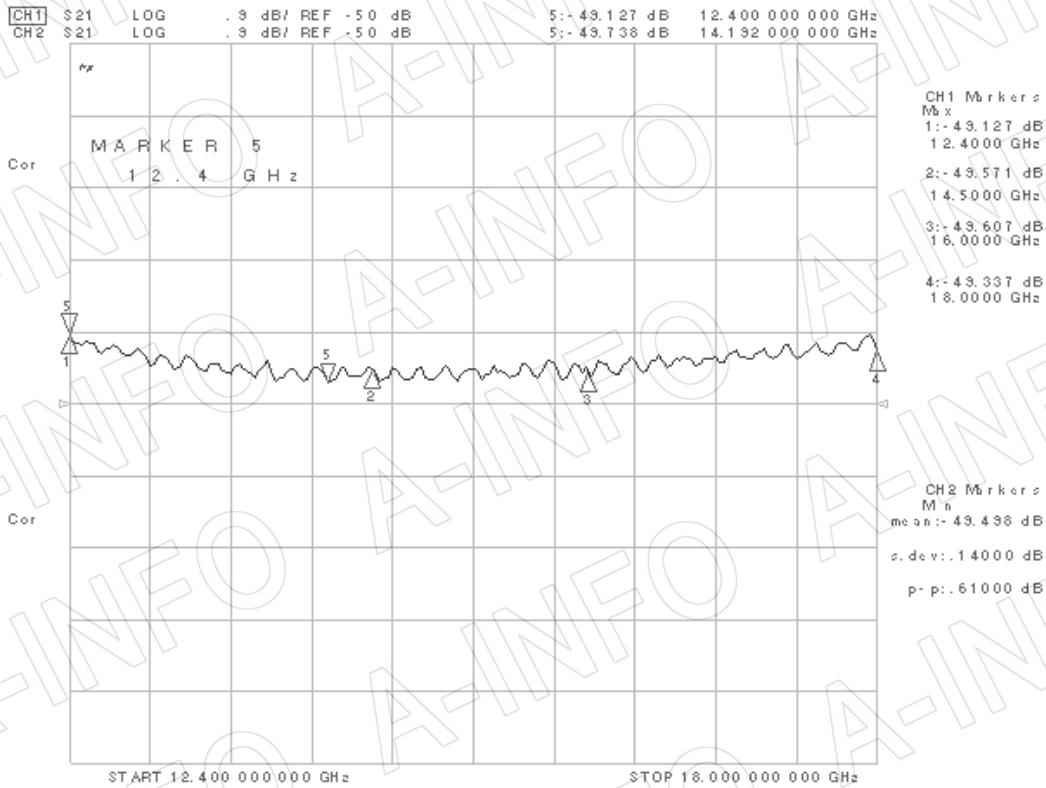
China(Beijing): Tel: (+86) 10-6266-7326,
China(Chengdu): Tel: (+86) 28-8519-2786,
USA: Tel: (+1) 949-639-9688,

(+86) 10-6266-7327 Fax: (+86) 10-6266-7379
(+86) 28-8519-3044 Fax: (+86) 28-8519-3068
(+1) 949-639-9608 Fax: (+1) 949-639-9670

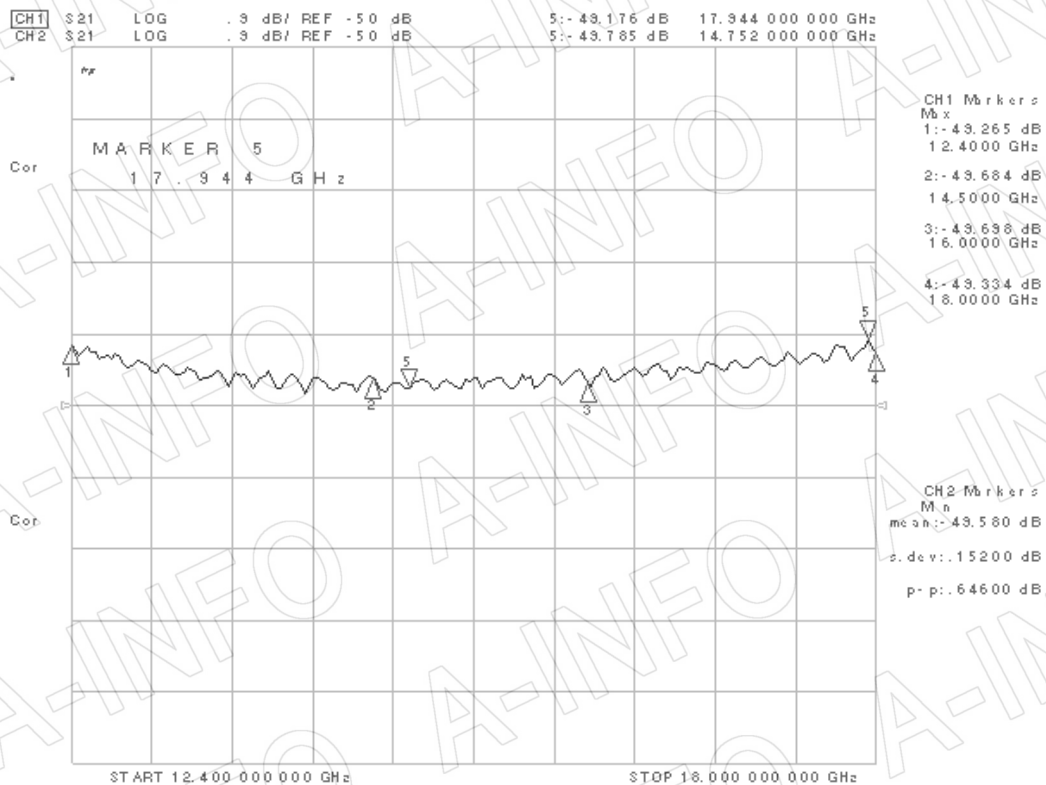
Website: www.ainfoinc.com
Email: sales@ainfoinc.com

Test Results

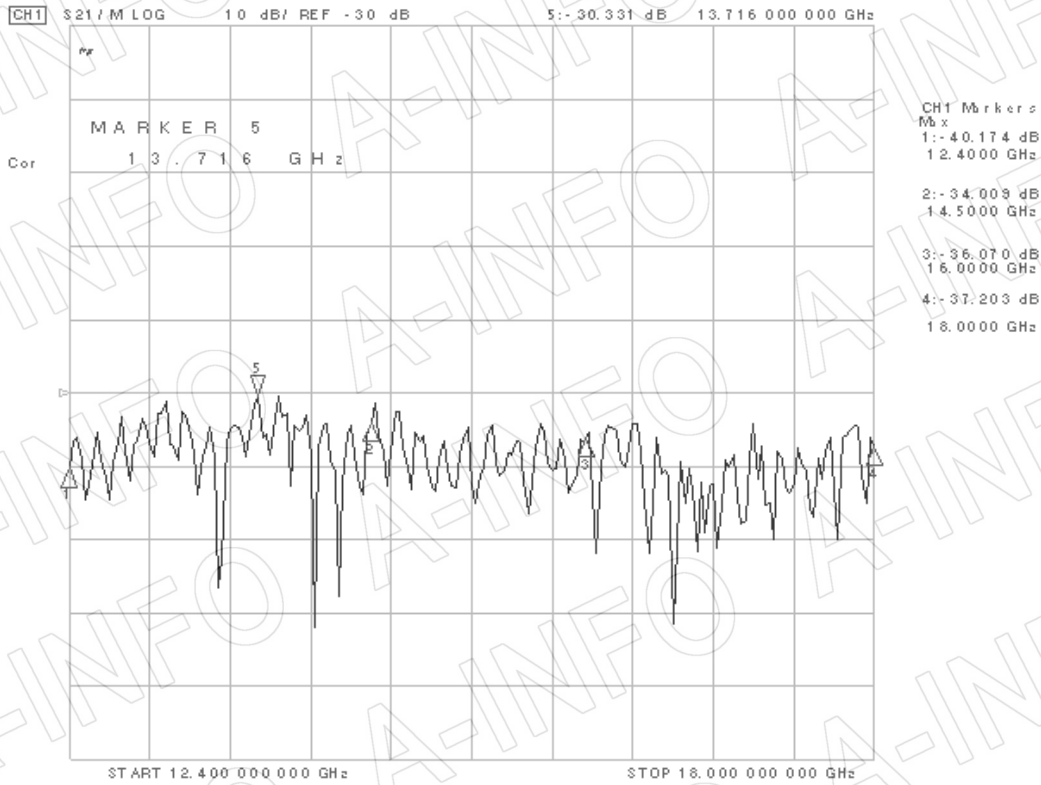
Coupling Port 1



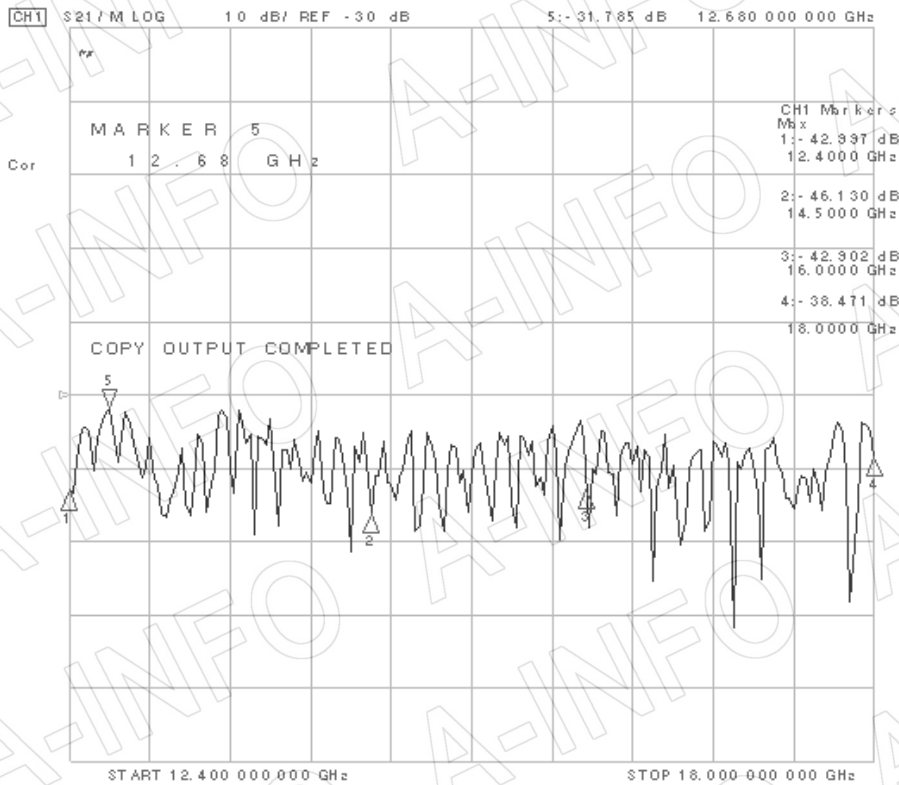
Port 2



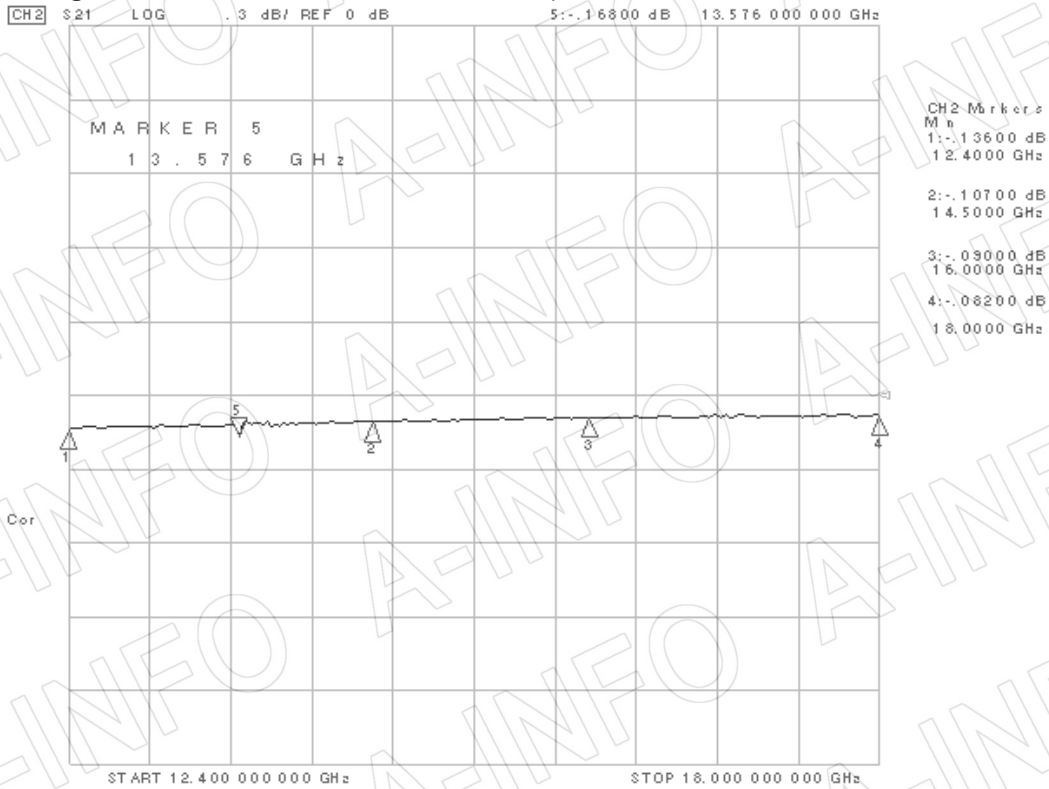
Directivity Port 1



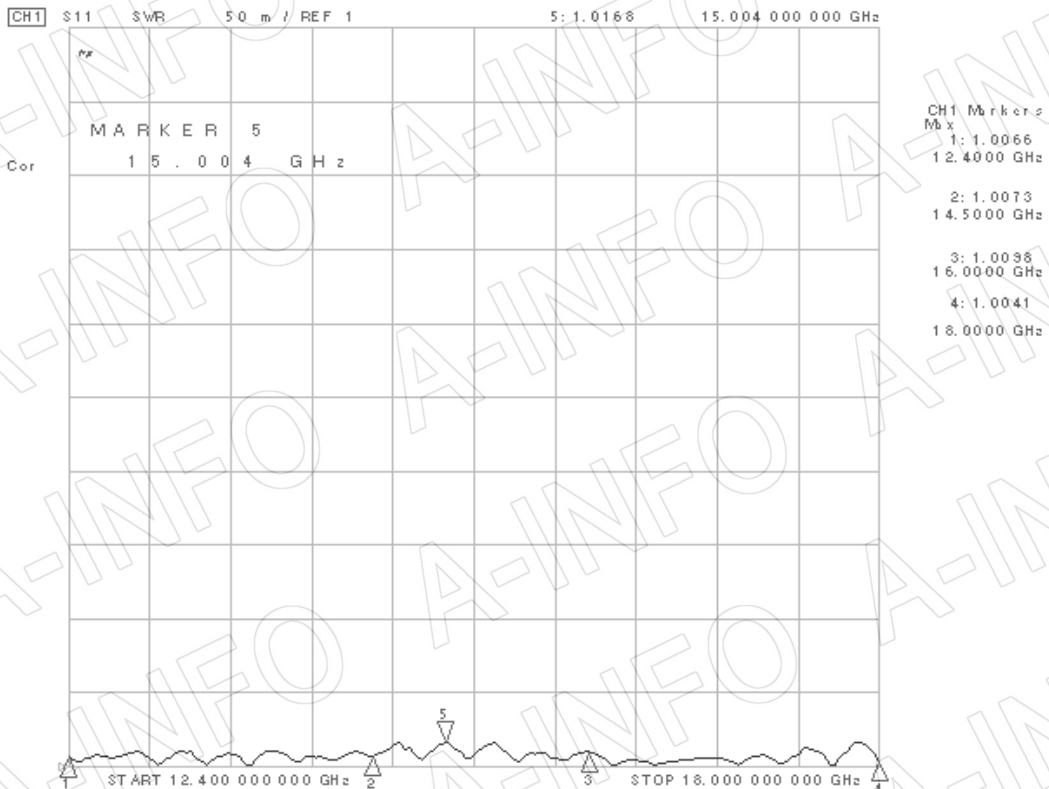
Port 2



I.L. (Including the theoretical loss 8.69×10^{-5} dB)



Mainline VSWR



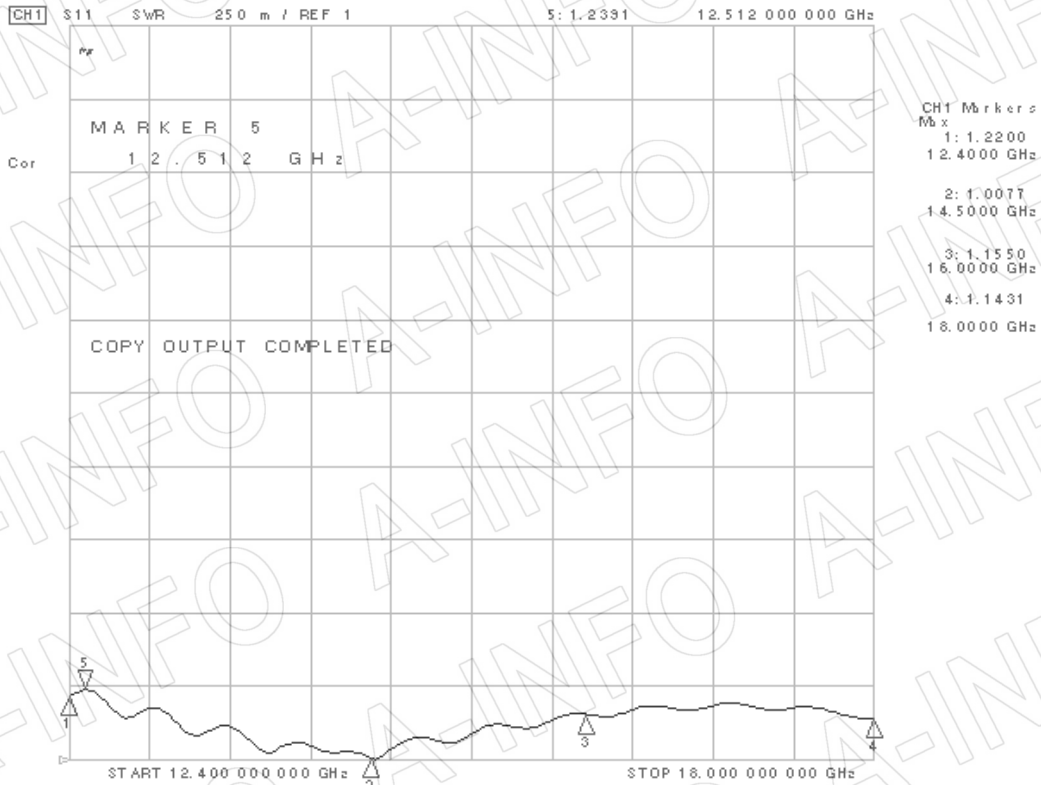
AINFO Inc.

Page 5 of 6

China(Beijing): Tel: (+86) 10-6266-7326, (+86) 10-6266-7327 Fax: (+86) 10-6266-7379
 China(Chengdu): Tel: (+86) 28-8519-2786, (+86) 28-8519-3044 Fax: (+86) 28-8519-3068
 USA: Tel: (+1) 949-639-9688, (+1) 949-639-9608 Fax: (+1) 949-639-9670

Website: www.ainfoinc.com
 Email: sales@ainfoinc.com

Secondline VSWR Port 1



Port 2

